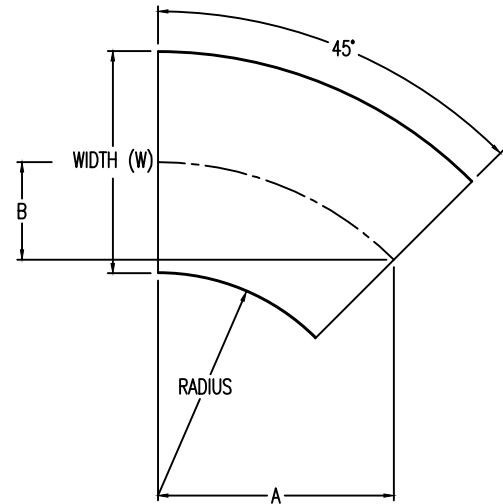
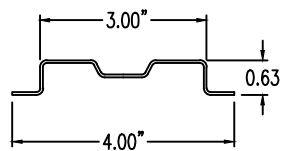
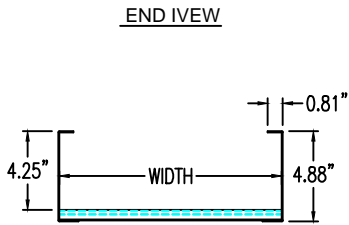


# Steel Ladder/Ventilated Tray

## Horizontal 45° ELBOW (5"H)

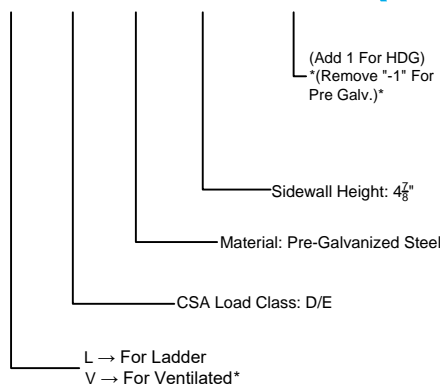
**HORIZONTAL 45° ELBOW (STEEL)**  
 Manufactured in Canada by Niedax CER

**Note:** Couplings C/W Hardware are supplied with each fitting.



### STEEL LADDER/VENTILATED TRAY HORIZONTAL 45° ELBOW ORDERING DATA EXAMPLE

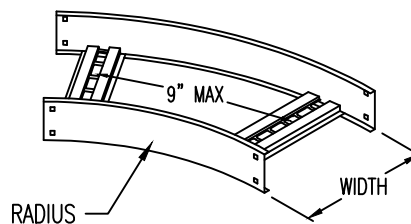
## L D S 5 - 1 - (Width) - H45 - (Radius)



Width:  
 (6",12",18",24",36")  
 or (custom)

Horizontal 45°  
 Elbow

12R - 12"  
 24R - 24"  
 36R - 36"



2799 Barton St E  
 Hamilton, ON L8E 2J8  
 Toll Free: 1 877.213.8045  
 Phone:905.337.7522  
 Cerinc.ca

**NOTES:**

\* CSA Ventilated tray has a rung spacing of 4" between rungs.

