

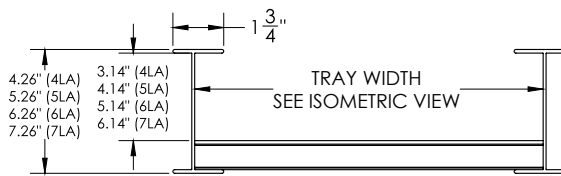
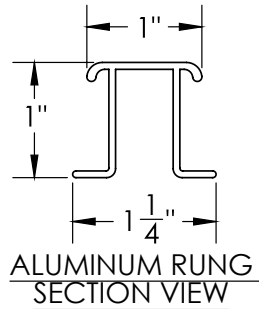
Cable Tray / Ladder Tray

RHC-XXXX-XXXXA-RAD

Cable Tray Fittings

Manufactured in the USA by MonoSystems, Inc.

REDUCING HORIZONTAL CROSS B, C, D SERIES RAIL



Notes

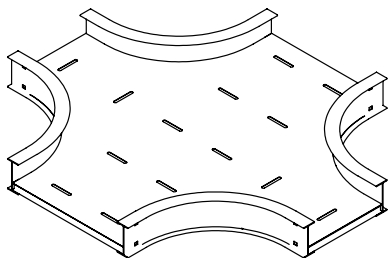
- 1.) Splice connectors and included hardware are provided for each fitting.
- 2.) Views for reference - do not scale.



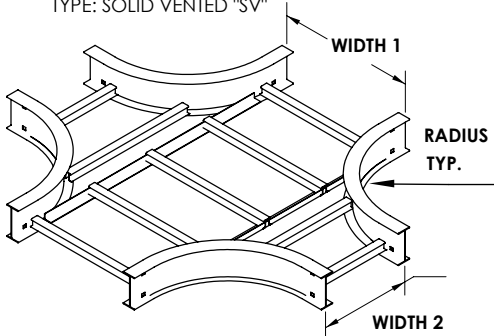
ORDERING DATA EXAMPLE:

RHC-XXW1-W2XXA

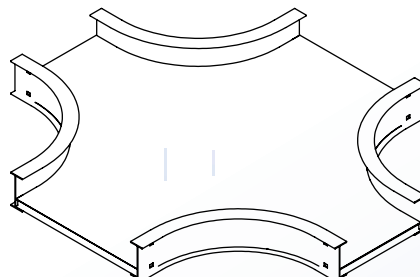
FITTING TYPE	RADIUS	WIDTH 1	WIDTH 2	TRAY TYPE	TRAY MATERIAL
RHC = REDUCING HORIZONTAL CROSS	12 = 12"	09 = 9" WIDE	06 = 6" WIDE	L = LADDER	A = ALUMINUM
	18 = 18"	12 = 12" WIDE	09 = 9" WIDE	S = SOLID BOTTOM	
	24 = 24"	18 = 18" WIDE	12 = 12" WIDE	SV = SOLID VENTED BOTTOM	
	36 = 36"	24 = 24" WIDE	18 = 18" WIDE		
		30 = 30" WIDE	24 = 24" WIDE		
		36 = 36" WIDE	30 = 30" WIDE		
		42 = 42" WIDE	36 = 36" WIDE		
		48 = 48" WIDE	42 = 42" WIDE		
				HEIGHT	
				4 = 4" (3" DEPTH)	
				5 = 5" (4" DEPTH)	
				6 = 6" (5" DEPTH)	
				7 = 7" (6" DEPTH)	



ALUMINUM REDUCING HORIZONTAL CROSS TRAY
TYPE: SOLID VENTED "SV"



ALUMINUM REDUCING HORIZONTAL CROSS TRAY
TYPE: LADDER "L"



ALUMINUM REDUCING HORIZONTAL CROSS TRAY
TYPE: SOLID BOTTOM "S"



An ABB and Niedax Joint Venture

Niedax MonoSystems | 716.821.1344

180 Hopkins Street | Buffalo, NY 14220

quotes.monosystems@abnex.com | www.abnex.com