

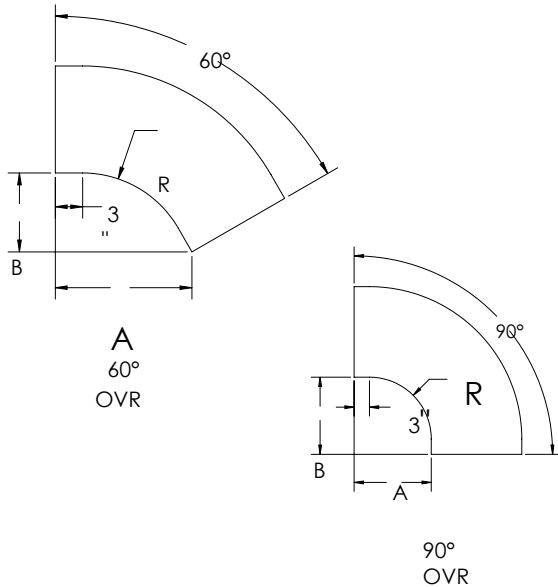
# Cable Tray / Ladder Tray

## OV60/90-RAD

## Cable Tray Fittings

Manufactured in the USA by MonoSystems, Inc.

### 60° & 90° OUTSIDE VERTICAL SMOOTH RADIUS RISERS



#### Notes

- 1.) Splice connectors and included hardware are provided for each fitting.
- 2.) Views for reference - Do not scale



#### ORDERING DATA EXAMPLE:

**OV60 -12 12 4 L A -RAD**

#### FITTING

OV60 = 60° OUTSIDE VERTICAL RISER  
OV90 = 90° OUTSIDE VERTICAL RISER

#### RADIUS

12 = 12"  
18 = 18"  
24 = 24"  
36 = 36"

#### WIDTH

6 = 6"  
9 = 9"  
12 = 12"  
18 = 18"  
24 = 24"  
30 = 30"  
36 = 36"  
42 = 42"

#### HEIGHT

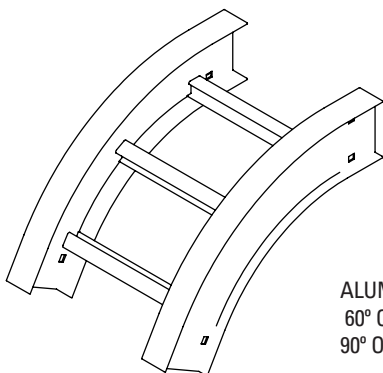
4 = 4" (3" DEPTH)  
5 = 5" (4" DEPTH)  
6 = 6" (5" DEPTH)  
7 = 7" (6" DEPTH)

#### TRAY TYPE

L = LADDER  
V = VENTED  
S = SOLID  
BOTTOM

#### TRAY MATERIAL

A = ALUMINUM  
T = ALUMINUM POWDER  
COAT



ALUMINUM  
60° OVR  
90° OVR



An ABB and Niedax Joint Venture

Niedax MonoSystems | 716.821.1344  
180 Hopkins Street | Buffalo, NY 14220

quotes.monosystems@abnex.com | www.abnex.com

Radius R	Tray Width W	60° Outside Vertical Riser			Radius R	Tray Width W	90° Outside Vertical Riser		
		Series B,C, & D Catalog number	A (in.)	B (in.)			Series B,C, & D Catalog number	A (in.)	B (in.)
12	06	OV60-1206(xxx)-RAD	14.9	8.9	12	06	OV90-1206(xxx)-RAD	15.0	15.0
	09	OV60-1209(xxx)-RAD	14.9	8.9		09	OV90-1209(xxx)-RAD	15.0	15.0
	12	OV60-1212(xxx)-RAD	14.9	8.9		12	OV90-1212(xxx)-RAD	15.0	15.0
	18	OV60-1218(xxx)-RAD	14.9	8.9		18	OV90-1218(xxx)-RAD	15.0	15.0
	24	OV60-1224(xxx)-RAD	14.9	8.9		24	OV90-1224(xxx)-RAD	15.0	15.0
	30	OV60-1230(xxx)-RAD	14.9	8.9		30	OV90-1230(xxx)-RAD	15.0	15.0
	36	OV60-1236(xxx)-RAD	14.9	8.9		36	OV90-1236(xxx)-RAD	15.0	15.0
	42	OV60-1242(xxx)-RAD	14.9	8.9		42	OV90-1242(xxx)-RAD	15.0	15.0
24	06	OV60-2406(xxx)-RAD	25.3	14.6	24	06	OV90-2406(xxx)-RAD	27.0	27.0
	09	OV60-2409(xxx)-RAD	25.3	14.6		09	OV90-2409(xxx)-RAD	27.0	27.0
	12	OV60-2412(xxx)-RAD	25.3	14.6		12	OV90-2412(xxx)-RAD	27.0	27.0
	18	OV60-2418(xxx)-RAD	25.3	14.6		18	OV90-2418(xxx)-RAD	27.0	27.0
	24	OV60-2424(xxx)-RAD	25.3	14.6		24	OV90-2424(xxx)-RAD	27.0	27.0
	30	OV60-2430(xxx)-RAD	25.3	14.6		30	OV90-2430(xxx)-RAD	27.0	27.0
	36	OV60-2436(xxx)-RAD	25.3	14.6		36	OV90-2436(xxx)-RAD	27.0	27.0
	42	OV60-2442(xxx)-RAD	25.3	14.6		42	OV90-2442(xxx)-RAD	27.0	27.0
36	06	OV60-3606(xxx)-RAD	35.7	20.6	36	06	OV90-3606(xxx)-RAD	39.0	39.0
	09	OV60-3609(xxx)-RAD	35.7	20.6		09	OV90-3609(xxx)-RAD	39.0	39.0
	12	OV60-3612(xxx)-RAD	35.7	20.6		12	OV90-3612(xxx)-RAD	39.0	39.0
	18	OV60-3618(xxx)-RAD	35.7	20.6		18	OV90-3618(xxx)-RAD	39.0	39.0
	24	OV60-3624(xxx)-RAD	35.7	20.6		24	OV90-3624(xxx)-RAD	39.0	39.0
	30	OV60-3630(xxx)-RAD	35.7	20.6		30	OV90-3630(xxx)-RAD	39.0	39.0
	36	OV60-3636(xxx)-RAD	35.7	20.6		36	OV90-3636(xxx)-RAD	39.0	39.0
	42	OV60-3642(xxx)-RAD	35.7	20.6		42	OV90-3642(xxx)-RAD	39.0	39.0
48	06	OV60-4806(xxx)-RAD	46.1	26.6	48	06	OV90-4806(xxx)-RAD	51.0	51.0
	09	OV60-4809(xxx)-RAD	46.1	26.6		09	OV90-4809(xxx)-RAD	51.0	51.0
	12	OV60-4812(xxx)-RAD	46.1	26.6		12	OV90-4812(xxx)-RAD	51.0	51.0
	18	OV60-4818(xxx)-RAD	46.1	26.6		18	OV90-4818(xxx)-RAD	51.0	51.0
	24	OV60-4824(xxx)-RAD	46.1	26.6		24	OV90-4824(xxx)-RAD	51.0	51.0
	30	OV60-4830(xxx)-RAD	46.1	26.6		30	OV90-4830(xxx)-RAD	51.0	51.0
	36	OV60-4836(xxx)-RAD	46.1	26.6		36	OV90-4836(xxx)-RAD	51.0	51.0
	42	OV60-4842(xxx)-RAD	46.1	26.6		42	OV90-4842(xxx)-RAD	51.0	51.0



An ABB and Niedax Joint Venture

Niedax MonoSystems | 716.821.1344

180 Hopkins Street | Buffalo, NY 14220

quotes.monosystems@abnex.com | www.abnex.com

# Cable Tray / Ladder / Aluminum B6A Series

NEMA Load Class: 20A/16B

## PowerTray™

Manufactured by MonoSystems, Inc.

### B6A/STRAIGHT SECTION

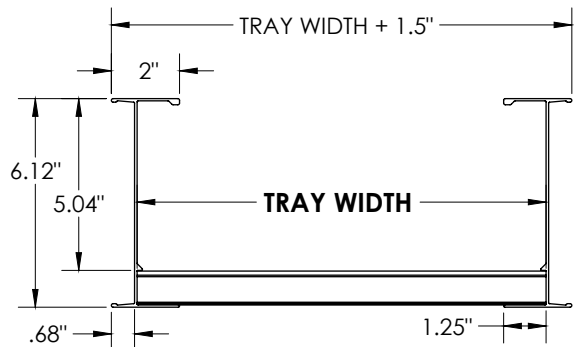
#### General Information

**TRAY DESIGN:** Construction and markings are per NEMA Standards Pub. VE1.

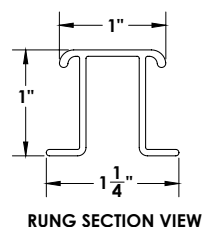
**TRAY GROUNDING CAPABILITY:** Classified as an equipment grounding conductor per N.E.C. 392.7 with a maximum 1600 ampere rating. UL Cross Sectional area: 1.70 in<sup>2</sup>

**CONNECTORS:** Available in non-wedge (P/N: **Ax-2001-PR**) and wedge-lock styles (P/N: **Ax-2001-FP-PR**) upon request. Splice resistance is less than 0.00033 ohms. Standard hardware: 3/8 in. cadmium-plated with clear zinc topcoat. Stainless steel hardware is available upon request. Depicted splice plate is for demonstration purposes only. Do not scale.

Material: Aluminum 6063-T6 Alloy

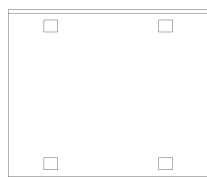


Siderail: 6.12"  
Load Depth: 5.04"



RUNG SECTION VIEW

CONNECTOR



LOAD CHART\*

POWER-TRAY RAIL DATA	RAIL TYPE: B6A					
SPAN (ft)	10	12	14	16	18	20
MAX LOAD (lbs/ft)	204	142	104	80	63	51
DEFLECTION MULTIPLIER	0.0028	0.006	0.011	0.019	0.03	0.045



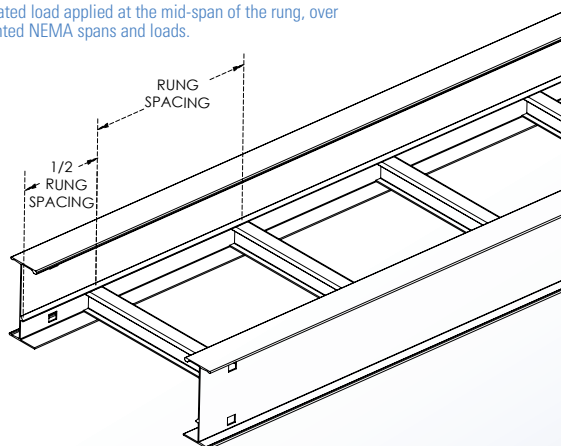
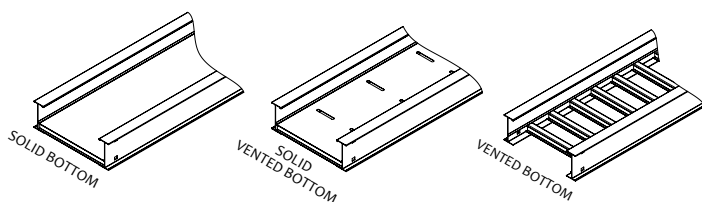
FILE: E80034

Classified by UL as equipment grounding conductors per NEC 392.7.

\* Values are based on simple beam tests per NEMA VE 1 on 36" wide cable tray with rungs spaced on 12" centers. Cable trays will support, without collapse, a 200 lb. (90.7 kg) concentrated load over and above published loads. Published load safety factor is 1.5.

To convert 1.5 safety factor to 2.0, multiply the published load by 0.75. To obtain mid-span deflection, multiply a load by the deflection multiplier. Cable tray must be supported on spans shorter than or equal to the length of the cable tray being installed.

Individual rungs will support without collapse a 200 lb. (90.7 kg) concentrated load applied at the mid-span of the rung, over and above the NEMA rated cable load with a 1.5 safety factor for highlighted NEMA spans and loads.



#### ORDERING DATA EXAMPLE:

PowerTray, 6.12" High Ladder, Aluminum, 12" Rung Spacing, 24" Wide, 12' Long

**B6 A 12 - 24 - 144 - FP - K**

**RAIL SERIES**  
B6

**MATERIAL**  
A = ALUMINUM  
6063 - T6 ALLOY

**RUNG SPACING**  
06 = 6"  
09 = 9"  
12 = 12"  
18 = 18"

04 = VENTED BOTTOM  
SB = SOLID BOTTOM  
SBV = SOLID VENTED  
BOTTOM

**TRAY WIDTH**  
06 = 6"  
09 = 9"  
12 = 12"  
18 = 18"  
24 = 24"  
30 = 30"  
36 = 36"  
42 = 42"

**TRAY LENGTH**  
144 = 12'  
240 = 20'

**PLATE**  
NONE = WEDGE-LOCK PLATE  
FP = FLAT PLATE (NON-WEDGE)



An ABB and Niedax Joint Venture

Niedax MonoSystems | 716.821.1344

180 Hopkins Street | Buffalo, NY 14220

quotes.monosystems@abnex.com | www.abnex.com