

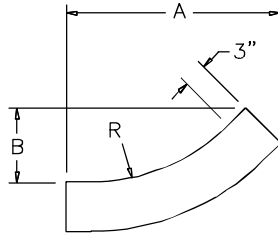
Cable Tray / Ladder Tray

IV30/45-RAD

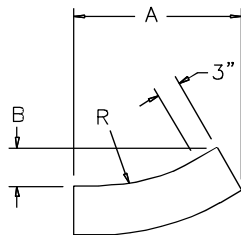
Cable Tray Fittings

Manufactured in the USA by MonoSystems, Inc.

30° & 45° INSIDE VERTICAL SMOOTH RADIUS RISERS



45° IVR



30° IVR



UL CLASSIFIED AS A
GROUNDING CONDUCTOR

Notes

- Splice connectors and included hardware are provided for each fitting.

ORDERING DATA EXAMPLE:

IV30° -12 06 4 L A -RAD

FITTING

IV30 = 30° INSIDE VERTICAL RISER
IV45 = 45° INSIDE VERTICAL RISER

RADIUS

12 = 12"
18 = 18"
24 = 24"
30 = 30"
36 = 36"

WIDTHS

6 = 6"
9 = 9"
12 = 12"
18 = 18"
24 = 24"
30 = 30"
36 = 36"
42 = 42"

TRAY TYPE

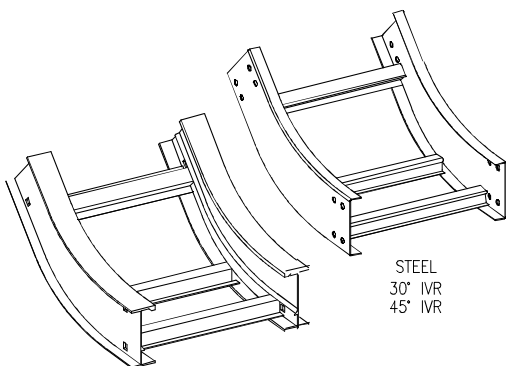
L = LADDER
V = VENTED
S = SOLID BOTTOM

HEIGHT

4 = 4" (3" DEPTH)
5 = 5" (4" DEPTH)
6 = 6" (5" DEPTH)
7 = 7" (6" DEPTH)

TRAY MATERIAL

A = ALUMINUM
T = ALUMINUM
POWDER COAT



ALUMINUM
30° IVR
45° IVR

STEEL
30° IVR
45° IVR

Radius R	Tray Width W	30° Inside Vertical Riser			Radius R	Tray Width W	45° Inside Vertical Riser		
		Series B,C, & D Catalog number	A (in.)	B (in.)			Series B,C, & D Catalog number	A (in.)	B (in.)
12	06	IV30-1206(xxx)-RAD	11.6	3.1	12	06	IV45-1206(xxx)-RAD	13.6	5.6
	09	IV30-1209(xxx)-RAD	11.6	3.1		09	IV45-1209(xxx)-RAD	13.6	5.6
	12	IV30-1212(xxx)-RAD	11.6	3.1		12	IV45-1212(xxx)-RAD	13.6	5.6
	18	IV30-1218(xxx)-RAD	11.6	3.1		18	IV45-1218(xxx)-RAD	13.6	5.6
	24	IV30-1224(xxx)-RAD	11.6	3.1		24	IV45-1224(xxx)-RAD	13.6	5.6
	30	IV30-1230(xxx)-RAD	11.6	3.1		30	IV45-1230(xxx)-RAD	13.6	5.6
	36	IV30-1236(xxx)-RAD	11.6	3.1		36	IV45-1236(xxx)-RAD	13.6	5.6
	42	IV30-1242(xxx)-RAD	11.6	3.1		42	IV45-1242(xxx)-RAD	13.6	5.6
24	06	IV30-2406(xxx)-RAD	17.6	4.7	24	06	IV45-2406(xxx)-RAD	22.1	9.2
	09	IV30-2409(xxx)-RAD	17.6	4.7		09	IV45-2409(xxx)-RAD	22.1	9.2
	12	IV30-2412(xxx)-RAD	17.6	4.7		12	IV45-2412(xxx)-RAD	22.1	9.2
	18	IV30-2418(xxx)-RAD	17.6	4.7		18	IV45-2418(xxx)-RAD	22.1	9.2
	24	IV30-2424(xxx)-RAD	17.6	4.7		24	IV45-2424(xxx)-RAD	22.1	9.2
	30	IV30-2430(xxx)-RAD	17.6	4.7		30	IV45-2430(xxx)-RAD	22.1	9.2
	36	IV30-2436(xxx)-RAD	17.6	4.7		36	IV45-2436(xxx)-RAD	22.1	9.2
	42	IV30-2442(xxx)-RAD	17.6	4.7		42	IV45-2442(xxx)-RAD	22.1	9.2
36	06	IV30-3606(xxx)-RAD	23.6	6.3	36	06	IV45-3606(xxx)-RAD	30.6	12.7
	09	IV30-3609(xxx)-RAD	23.6	6.3		09	IV45-3609(xxx)-RAD	30.6	12.7
	12	IV30-3612(xxx)-RAD	23.6	6.3		12	IV45-3612(xxx)-RAD	30.6	12.7
	18	IV30-3618(xxx)-RAD	23.6	6.3		18	IV45-3618(xxx)-RAD	30.6	12.7
	24	IV30-3624(xxx)-RAD	23.6	6.3		24	IV45-3624(xxx)-RAD	30.6	12.7
	30	IV30-3630(xxx)-RAD	23.6	6.3		30	IV45-3630(xxx)-RAD	30.6	12.7
	36	IV30-3636(xxx)-RAD	23.6	6.3		36	IV45-3636(xxx)-RAD	30.6	12.7
	42	IV30-3642(xxx)-RAD	23.6	6.3		42	IV45-3642(xxx)-RAD	30.6	12.7
48	06	IV30-4806(xxx)-RAD	29.6	7.9	48	06	IV45-4806(xxx)-RAD	39.1	16.2
	09	IV30-4809(xxx)-RAD	29.6	7.9		09	IV45-4809(xxx)-RAD	39.1	16.2
	12	IV30-4812(xxx)-RAD	29.6	7.9		12	IV45-4812(xxx)-RAD	39.1	16.2
	18	IV30-4818(xxx)-RAD	29.6	7.9		18	IV45-4818(xxx)-RAD	39.1	16.2
	24	IV30-4824(xxx)-RAD	29.6	7.9		24	IV45-4824(xxx)-RAD	39.1	16.2
	30	IV30-4830(xxx)-RAD	29.6	7.9		30	IV45-4830(xxx)-RAD	39.1	16.2
	36	IV30-4836(xxx)-RAD	29.6	7.9		36	IV45-4836(xxx)-RAD	39.1	16.2
	42	IV30-4842(xxx)-RAD	29.6	7.9		42	IV45-4842(xxx)-RAD	39.1	16.2