

Cable Tray / Ladder Tray HE30/45-RAD

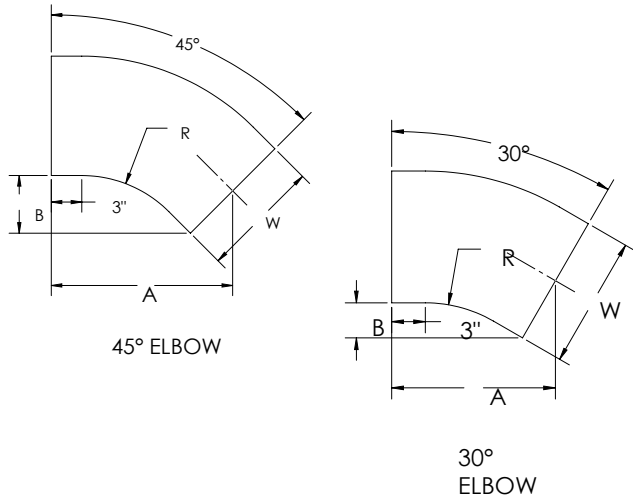
Cable Tray Fittings

Manufactured in the USA by MonoSystems, Inc.

30° & 45° HORIZONTAL ELBOWS

Notes

- 1.) Splice connectors and included hardware are provided for each fitting.
- 2.) Views for reference - Do not scale



ORDERING DATA EXAMPLE:

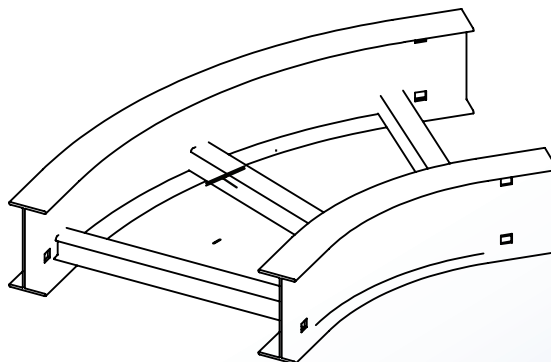
HE45 - 12 06 4 L A

FITTING	RADIUS	WIDTH	HEIGHT	TRAY TYPE
HE30= 30° HORIZ. ELBOW	12 = 12"	06 = 6"	4 = 4" (3" DEPTH)	L = LADDER
HE45 = 45° HORIZ. ELBOW	24 = 24"	09 = 9"	5 = 5" (4" DEPTH)	V = VENTED
	36 = 36"	12 = 12"	6 = 6" (5" DEPTH)	S = SOLID BOTTOM
	48 = 48"	18 = 18"	7 = 7" (6" DEPTH)	
		24 = 24"		
		30 = 30"		
		36 = 36"		
		42 = 42"		

SERIES
LEAVE BLANK = B,C,D SERIES

TRAY MATERIAL
A = ALUMINUM
T = ALUMINUM POWDER COAT

ALUMINUM
45° ELBOW
(VIEWS FOR
REFERENCE - DO
NOT SCALE)



An ABB and Niedax Joint Venture

Niedax MonoSystems | 716.821.1344

180 Hopkins Street | Buffalo, NY 14220

quotes.monosystems@abnex.com | www.abnex.com

Radius R	Tray Width W	30° Horizontal Elbow			Radius R	Tray Width W	45° Horizontal Elbow		
		Series B,C, & D Catalog number	A (in.)	B (in.)			Series B,C, & D Catalog number	A (in.)	B (in.)
12	06	HE30-1206(xxx)	13.1	3.5	12	06	HE45-1206(xxx)	15.7	6.5
	09	HE30-1209(xxx)	13.8	3.7		09	HE45-1209(xxx)	16.8	7.0
	12	HE30-1212(xxx)	14.6	3.9		12	HE45-1212(xxx)	17.8	7.4
	18	HE30-1218(xxx)	16.1	4.3		18	HE45-1218(xxx)	20.0	8.3
	24	HE30-1224(xxx)	17.6	4.7		24	HE45-1224(xxx)	22.1	9.2
	30	HE30-1230(xxx)	19.1	5.1		30	HE45-1230(xxx)	24.2	10.0
	36	HE30-1236(xxx)	20.6	5.5		36	HE45-1236(xxx)	26.3	10.9
	42	HE30-1242(xxx)	22.1	5.9		42	HE45-1242(xxx)	28.5	11.8
24	06	HE30-2406(xxx)	19.1	5.1	24	06	HE45-2406(xxx)	24.2	10.0
	09	HE30-2409(xxx)	19.8	5.3		09	HE45-2409(xxx)	25.3	10.5
	12	HE30-2412(xxx)	20.6	5.5		12	HE45-2412(xxx)	26.3	10.9
	18	HE30-2418(xxx)	22.1	5.9		18	HE45-2418(xxx)	28.5	11.8
	24	HE30-2424(xxx)	23.6	6.3		24	HE45-2424(xxx)	30.6	12.7
	30	HE30-2430(xxx)	25.1	6.7		30	HE45-2430(xxx)	32.7	13.5
	36	HE30-2436(xxx)	26.6	7.1		36	HE45-2436(xxx)	34.8	14.4
	42	HE30-2442(xxx)	28.1	7.5		42	HE45-2442(xxx)	36.9	15.3
36	06	HE30-3606(xxx)	25.1	6.7	36	06	HE45-3606(xxx)	32.7	13.5
	09	HE30-3609(xxx)	25.8	6.9		09	HE45-3609(xxx)	33.8	14.0
	12	HE30-3612(xxx)	26.6	7.1		12	HE45-3612(xxx)	34.8	14.4
	18	HE30-3618(xxx)	28.1	7.5		18	HE45-3618(xxx)	36.9	15.3
	24	HE30-3624(xxx)	29.6	7.9		24	HE45-3624(xxx)	39.1	16.2
	30	HE30-3630(xxx)	31.1	8.3		30	HE45-3630(xxx)	41.2	17.1
	36	HE30-3636(xxx)	32.6	8.7		36	HE45-3636(xxx)	43.3	17.9
	42	HE30-3642(xxx)	34.1	9.1		42	HE45-3642(xxx)	45.4	18.8
48	06	HE30-4806(xxx)	31.1	8.3	48	06	HE45-4806(xxx)	41.2	17.1
	09	HE30-4809(xxx)	31.8	8.5		09	HE45-4809(xxx)	42.2	17.5
	12	HE30-4812(xxx)	32.6	8.7		12	HE45-4812(xxx)	43.3	17.9
	18	HE30-4818(xxx)	34.1	9.1		18	HE45-4818(xxx)	45.4	18.8
	24	HE30-4824(xxx)	35.6	9.5		24	HE45-4824(xxx)	47.5	19.7
	30	HE30-4830(xxx)	37.1	9.9		30	HE45-4830(xxx)	49.7	20.6
	36	HE30-4836(xxx)	38.6	10.3		36	HE45-4836(xxx)	51.8	21.5
	42	HE30-4842(xxx)	40.1	10.7		42	HE45-4842(xxx)	53.9	22.3

