

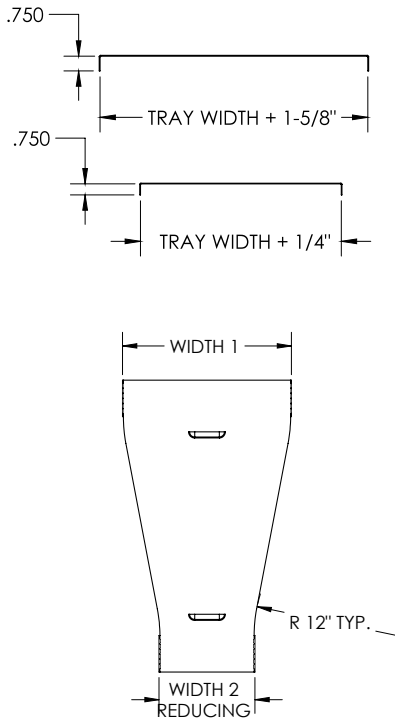
# Cable Tray / Ladder Tray

## A0-2074-SR-XXXX

## Ladder Tray Fittings

Manufactured in the USA by MonoSystems, Inc.

### VENTED FLAT FITTING COVER FOR STRAIGHT REDUCER



#### Notes

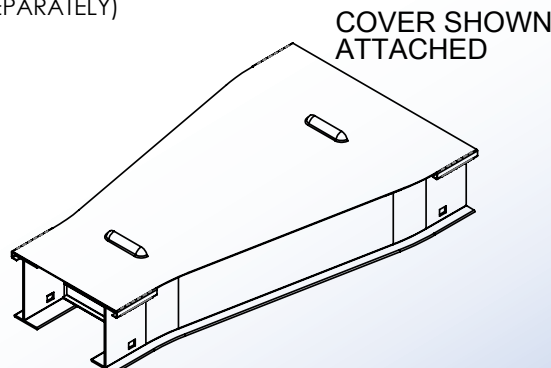
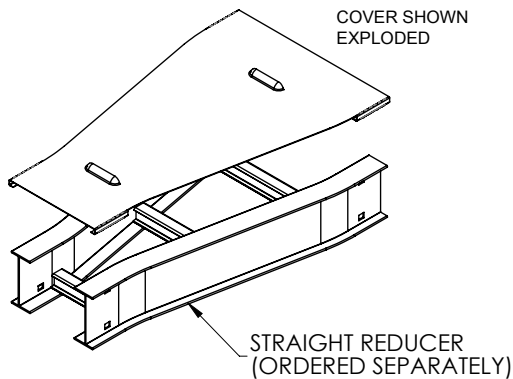
1.) Views for reference - do not scale.



#### ORDERING DATA EXAMPLE:

## A0-2072-SR-XXXX

TRAY MATERIAL	FITTING TYPE	WIDTH 1	WIDTH 2
A = ALUMINUM	SR = RIGHT SIDE REDUCER	09 = 9" WIDE 12 = 12" WIDE 18 = 18" WIDE 24 = 24" WIDE 30 = 30" WIDE 36 = 36" WIDE 42 = 42" WIDE 48 = 48" WIDE	06 = 6" WIDE 09 = 9" WIDE 12 = 12" WIDE 18 = 18" WIDE 24 = 24" WIDE 30 = 30" WIDE 36 = 36" WIDE 42 = 42" WIDE



An ABB and Niedax Joint Venture

Niedax MonoSystems | 716.821.1344

180 Hopkins Street | Buffalo, NY 14220

quotes.monosystems@abnex.com | www.abnex.com