

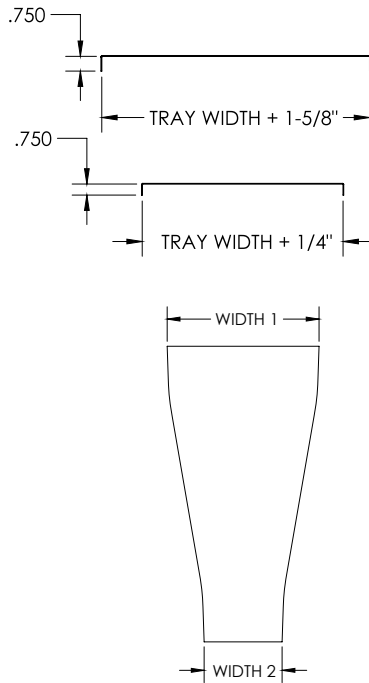
Cable Tray / Ladder Tray

A0-2072-SR-XXXX

Ladder Tray Fittings

Manufactured in the USA by MonoSystems, Inc.

FLAT FITTING COVER FOR STRAIGHT REDUCER



Notes

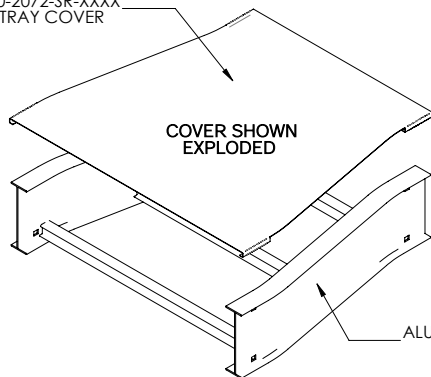
1.) Views for reference - do not scale.



ORDERING DATA EXAMPLE:

A0-2072-SR-XXXX

A0-2072-SR-XXXX
TRAY COVER



ALUMINUM STRAIGHT REDUCER
(ORDERED SEPARATELY)

TRAY MATERIAL

A = ALUMINUM

FITTING TYPE

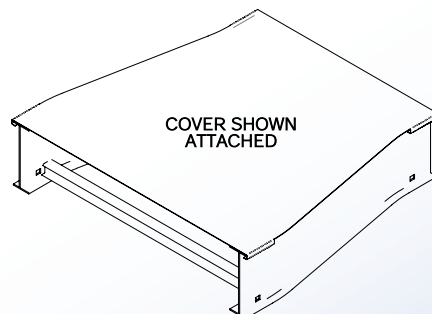
SR = RIGHT SIDE
REDUCER

WIDTH 1

09 = 9" WIDE
12 = 12" WIDE
18 = 18" WIDE
24 = 24" WIDE
30 = 30" WIDE
36 = 36" WIDE
42 = 42" WIDE
48 = 48" WIDE

WIDTH 2

06 = 6" WIDE
09 = 9" WIDE
12 = 12" WIDE
18 = 18" WIDE
24 = 24" WIDE
30 = 30" WIDE
36 = 36" WIDE
42 = 42" WIDE



An ABB and Niedax Joint Venture

Niedax MonoSystems | 716.821.1344
180 Hopkins Street | Buffalo, NY 14220

quotes.monosystems@abnex.com | www.abnex.com