

# Cable Tray / Ladder Tray

## A0-2072-LR-XXXX

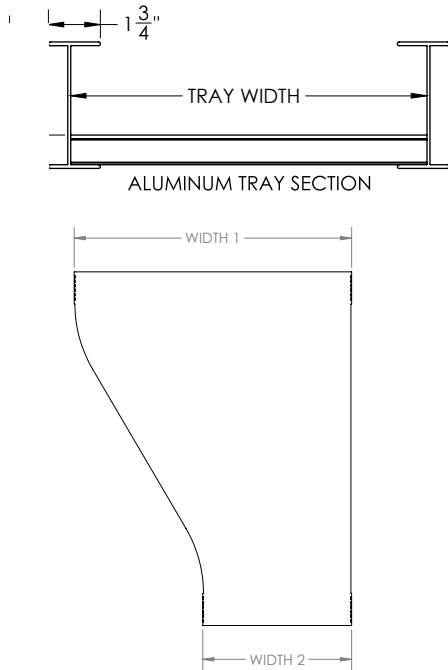
## Ladder Tray Fittings

Manufactured in the USA by MonoSystems, Inc.

### FLAT FITTING LEFT SIDE REDUCER COVERS

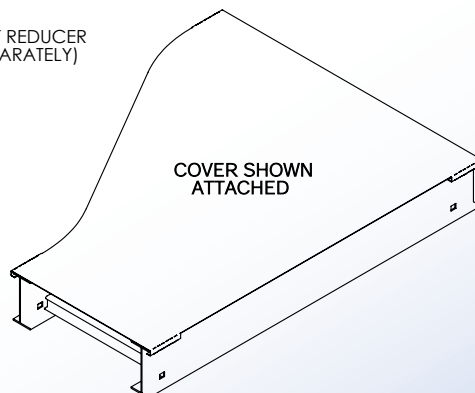
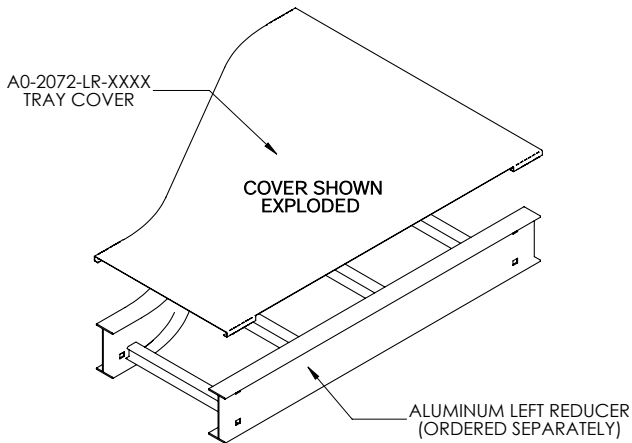
#### Notes

1.) Views for reference - do not scale.



#### ORDERING DATA EXAMPLE:

## A0-2072-LR-W1-W2



#### TRAY MATERIAL

A = ALUMINUM

#### FITTING TYPE

LR = LEFT SIDE REDUCER

#### WIDTH 1

09 = 9" WIDE  
12 = 12" WIDE  
18 = 18" WIDE  
24 = 24" WIDE  
30 = 30" WIDE  
36 = 36" WIDE  
42 = 42" WIDE  
48 = 48" WIDE

#### WIDTH 2

06 = 6" WIDE  
09 = 9" WIDE  
12 = 12" WIDE  
18 = 18" WIDE  
24 = 24" WIDE  
30 = 30" WIDE  
36 = 36" WIDE  
42 = 42" WIDE