

Cable Tray / Ladder Tray

A0-2072-HT-XXXX

Cable Tray Fittings

Manufactured in the USA by MonoSystems, Inc.

HORIZONTAL TEE COVER

Notes

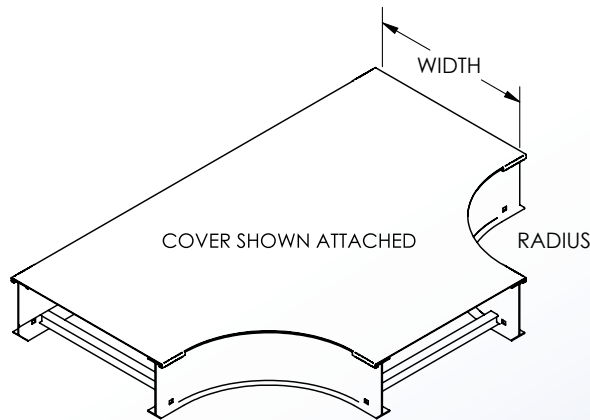
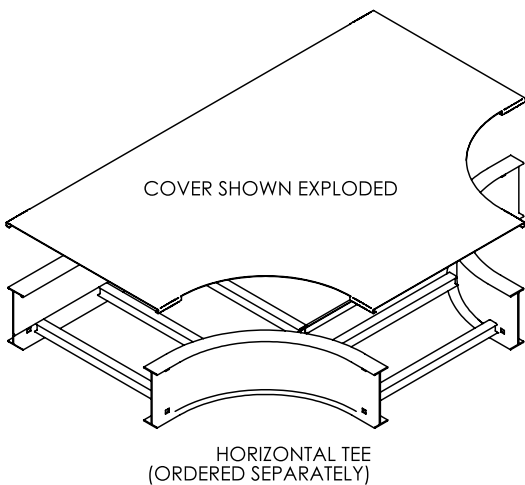
1.) Views for reference - do not scale.



ORDERING DATA EXAMPLE:

A0-2072-HT-XX-W

TRAY MATERIAL	FITTING TYPE	HT = HORIZONTAL TEE	RADIUS	WIDTH
A = ALUMINUM	SERIES: B, C & D STANDARD COVER		12 = 12"	09 = 9" WIDE
			18 = 18"	12 = 12" WIDE
			24 = 24"	18 = 18" WIDE
			36 = 36"	24 = 24" WIDE
			42 = 42"	30 = 30" WIDE
				36 = 36" WIDE
				42 = 42" WIDE
				48 = 48" WIDE



ALUMINUM HORIZONTAL TEE
FLAT COVER 2072



An ABB and Niedax Joint Venture

Niedax MonoSystems | 716.821.1344

180 Hopkins Street | Buffalo, NY 14220

quotes.monosystems@abnex.com | www.abnex.com