

Cable Tray / Ladder Tray A0-2072-HEXX-XXXX-RAD

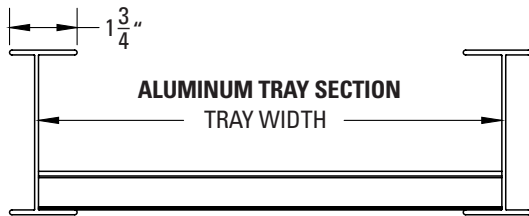
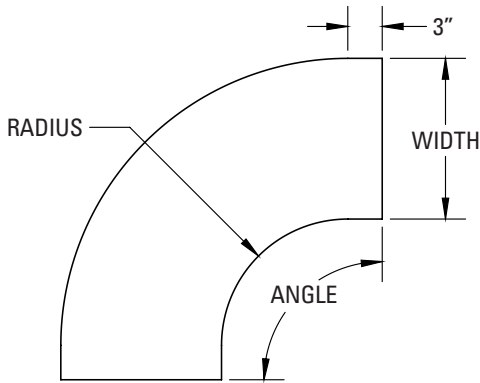
Cable Tray Fittings

Manufactured in the USA by MonoSystems, Inc.

FLAT FITTING HORIZONTAL ELBOW COVER

Notes

1.) Views for reference - do not scale.



ORDERING DATA EXAMPLE:

A0 - 2072 - HE XX - XX XX

MATERIAL

ALUMINUM

FITTING TYPE

B, C, D SERIES
STANDARD COVER

ANGLE

HE = HORIZONTAL
ELBOW

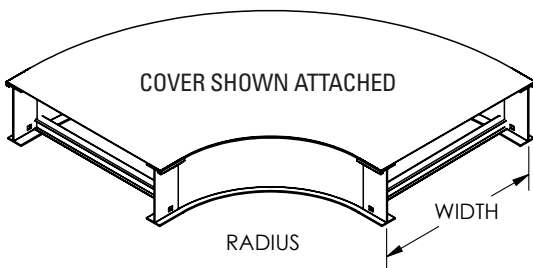
RADIUS

30 = 30
45 = 45
60 = 60
90 = 90

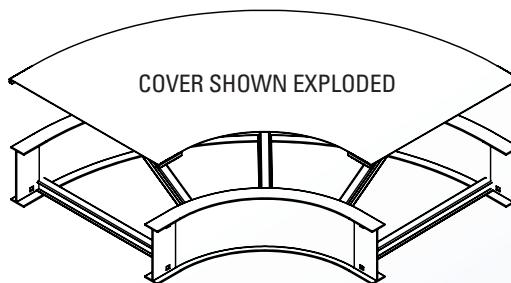
WIDTH

12 = 12" RADIUS
18 = 18" RADIUS
24 = 24" RADIUS
36 = 36" RADIUS
42 = 42" RADIUS

06 = 6" WIDE
09 = 9" WIDE
12 = 12" WIDE
18 = 18" WIDE
24 = 24" WIDE
30 = 30" WIDE
36 = 36" WIDE
42 = 42" WIDE
48 = 48" WIDE



ALUMINUM HORIZONTAL ELBOW
FLAT COVER 2072



HE90-XXXXXXA
HORIZONTAL ELBOW
(ORDERED SEPARATELY)



An ABB and Niedax Joint Venture

Niedax MonoSystems | 716.821.1344

180 Hopkins Street | Buffalo, NY 14220

quotes.monosystems@abnex.com | www.abnex.com