

# Cable Tray / Ladder Tray

## A0-2052-XX

# Cable Tray Covers

Manufactured by MonoSystems, Inc.

## STANDARD FLANGED COVER FOR B, C, D, E & HD SERIES TRAY

### Notes:

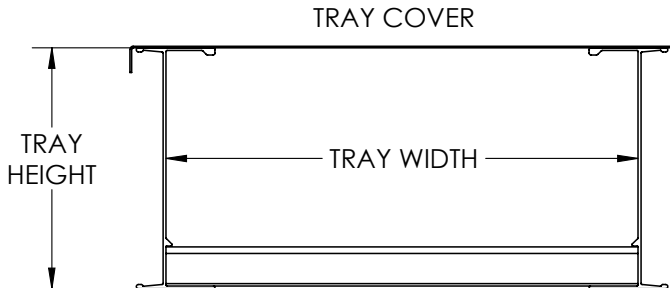
- 1.) Use to enclose cable tray and protect cable and wiring from damage or debris.  
Material thickness - 0.40" (1.02 mm) for covers under 36" L. Covers 36" L and above are 0.063" thickness (1.6 mm)
- 2.) Cover clamps are available and ordered separately.
- 3.) Additional cover styles including vented, peaked, diamond plate are available. Speak with Abnex for more information.
- 4.) Standard lengths for straight section covers are 144" length. For 120" covers, use P/N: A0-2052-XX-10.
- 6.) For 6" & 9" width covers do not add a "0" before "6" or "9" in the P/N.

4.) Views for reference - do not scale.

\*B, C and D series covers are offered for tray lengths up to 48" wide.

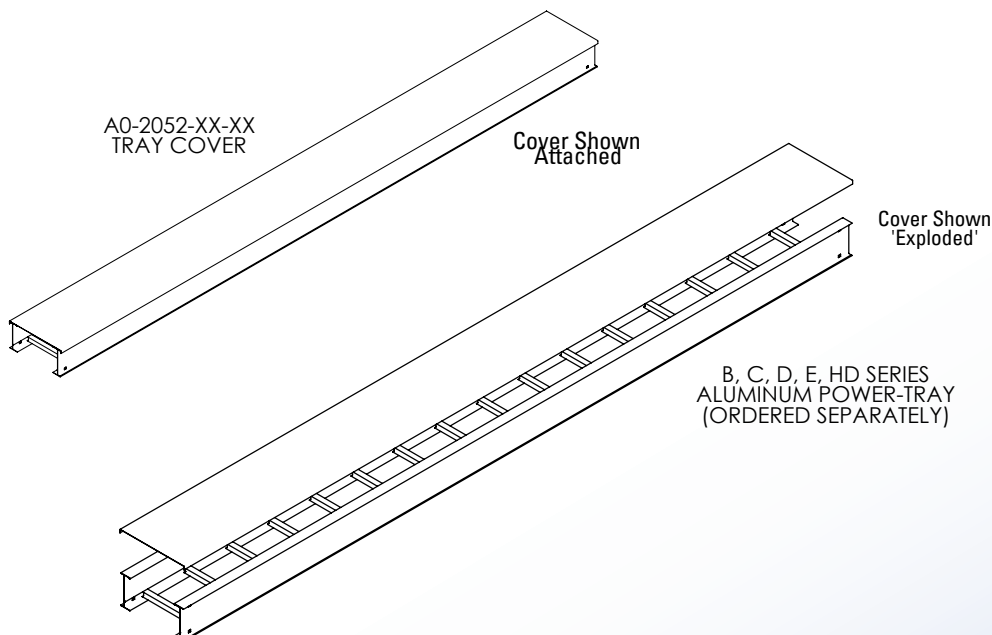
\*A0-2052-XX is also available in a non-flanged version.

Use P/N: A0-2052-XX-NF



### ORDERING DATA EXAMPLE:

<b>A0-2</b>	<b>052-XX</b>		
<b>MATERIAL</b>	<b>SERIES</b>	<b>TRAY WIDTH</b>	<b>LENGTH</b>
A = ALUMINUM	2 = SERIES: B,C,D	06 = 6" 09 = 9" 12 = 12" 18 = 18" 24 = 24" 30 = 30" 36 = 36" 42 = 42" 48 = 48"	12 = 144" [12FT]



An ABB and Niedax Joint Venture

Niedax MonoSystems | 716.821.1344

180 Hopkins Street | Buffalo, NY 14220

quotes.monosystems@abnex.com | www.abnex.com