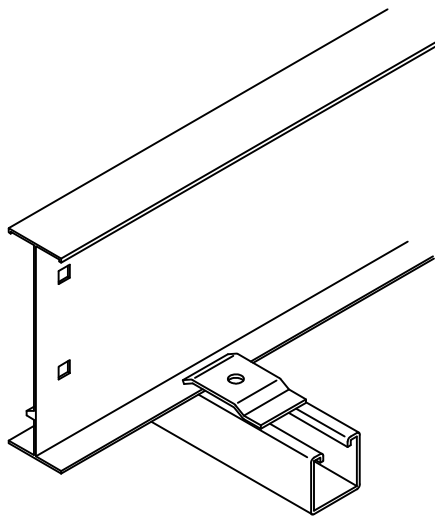


ALUMINUM LADDER TRAY ACCESSORIES

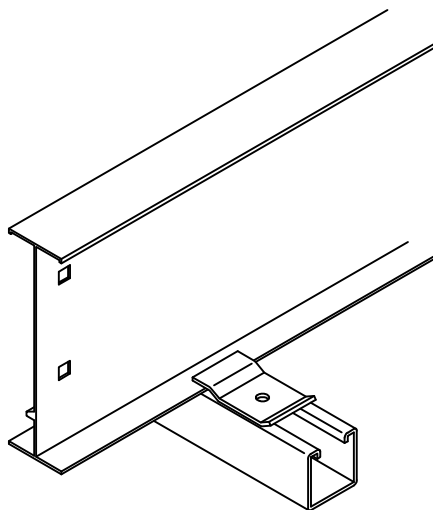
Hold Down Clamp

Manufactured in Canada by Niedax CER

- Used to hold tray rail to strut or wall bracket
- Supplied singularly, no hardware supplied
- Part No. A-HDC



INSTALLED AS A HOLD DOWN CLIP



INSTALLED AS AN EXPANSION GUIDE
(Use on both sides of tray to prevent lateral movement)

2799 Barton St E
Hamilton, ON L8E 2J8
Toll Free: 1 877.213.8045
Phone: 905.337.7522
Cerinc.ca